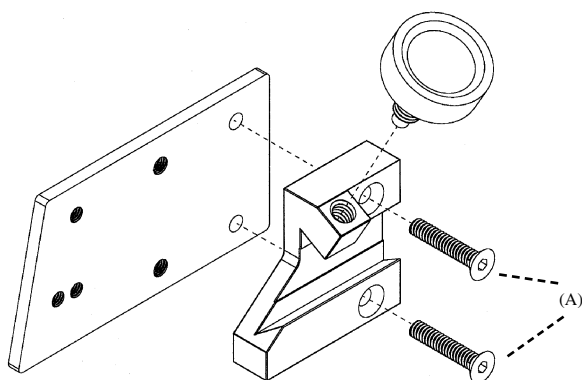


QUIVER MOUNT

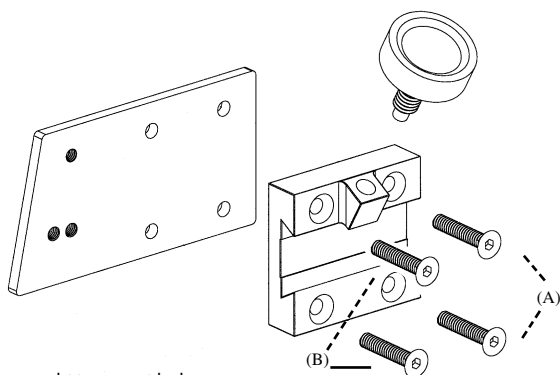
The SURE-LOC® quiver mount may be used with most side-mounted quivers.

Install the quiver mount between the bow and the standard or universal SURE-LOC® mounting block (not for use with upper cable guard sight mount) with the 1" flathead screws (A).

The $\frac{3}{4}$ " flathead screws (B) can be used through the back holes of the universal mounting block and into the tapped holes of the quiver mount for additional rigidity. **Note:** Do not use these screws (B) if they interfere with your style of riser or another accessory.



Standard Mounting Block



Universal Mounting Block